



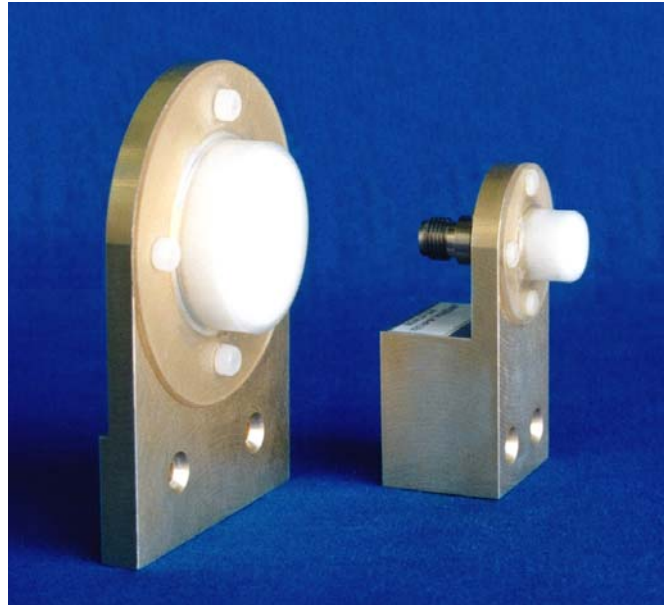
QUALITY SINCE 1957

Low Profile Omnidirectional Antennas

Antennas for Surveillance and Millimeterwave Communication

Rantec Low Profile Omnidirectional Antennas are part of the millimeterwave family of antennas. The antennas were designed for harsh environmental applications for both military and commercial markets.

The antennas behave like a typical $\lambda/4$ stub over the band of operation. They are protected with a high-performance polycarbonate radome and high-density foam filling and have a 2.4 mm or 2.9 mm connector interface.

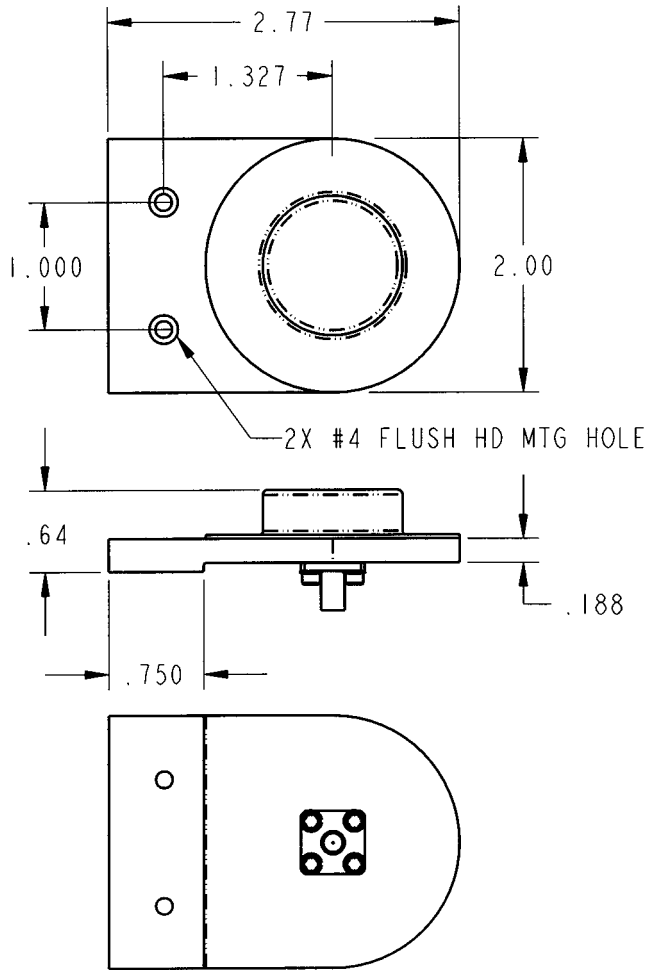


Rantec Microwave Systems, Inc.
 24003 Ventura Boulevard • Calabasas, CA 91302 USA
 Tel 818.223.5000 Fax 818.223.5199
 E-mail: marketing@rantecmdm.com

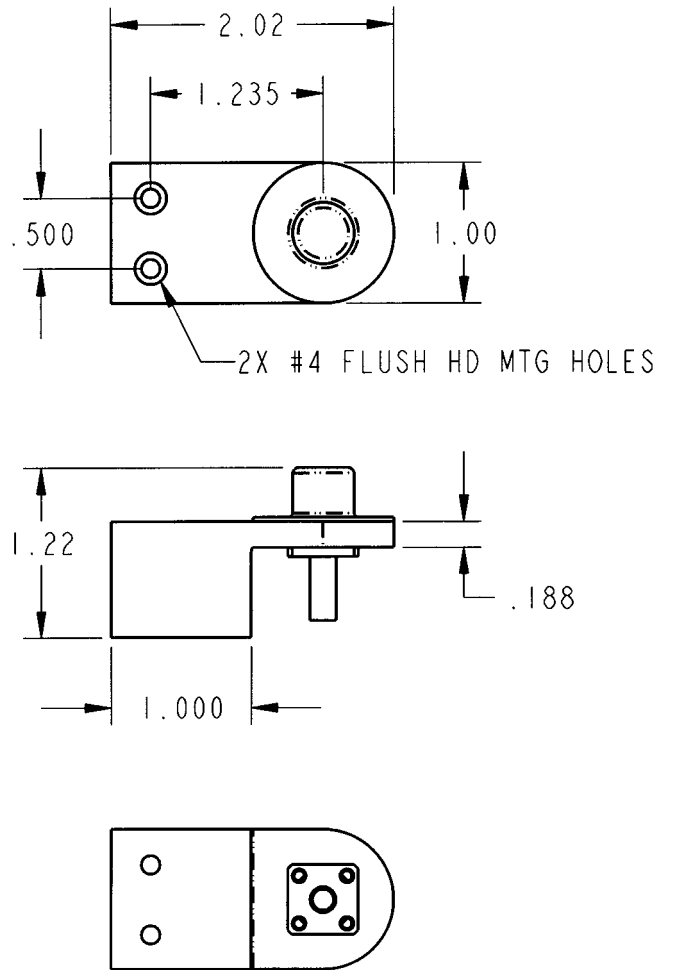
Basic Specifications

<i>Parameter</i>	<i>Band 1</i>	<i>Band 2</i>
FREQUENCY	18 to 40 GHz	40 to 60 GHz
VSWR	3.0:1 maximum	3.0:1 maximum
IMPEDANCE	50 ohms	50 ohms
POLARIZATION	Linear/Vertical	Linear/Vertical
COVERAGE		
Azimuth	Omni	Omni
Elevation	Same as $\lambda/4$ stub	Same as $\lambda/4$ stub
GAIN	0 dBil typically	0 dBil typically
CONNECTOR	Type K female	Type V female

Low Profile Omnidirectional Antennas



18 to 40 GHz



40 to 60 GHz